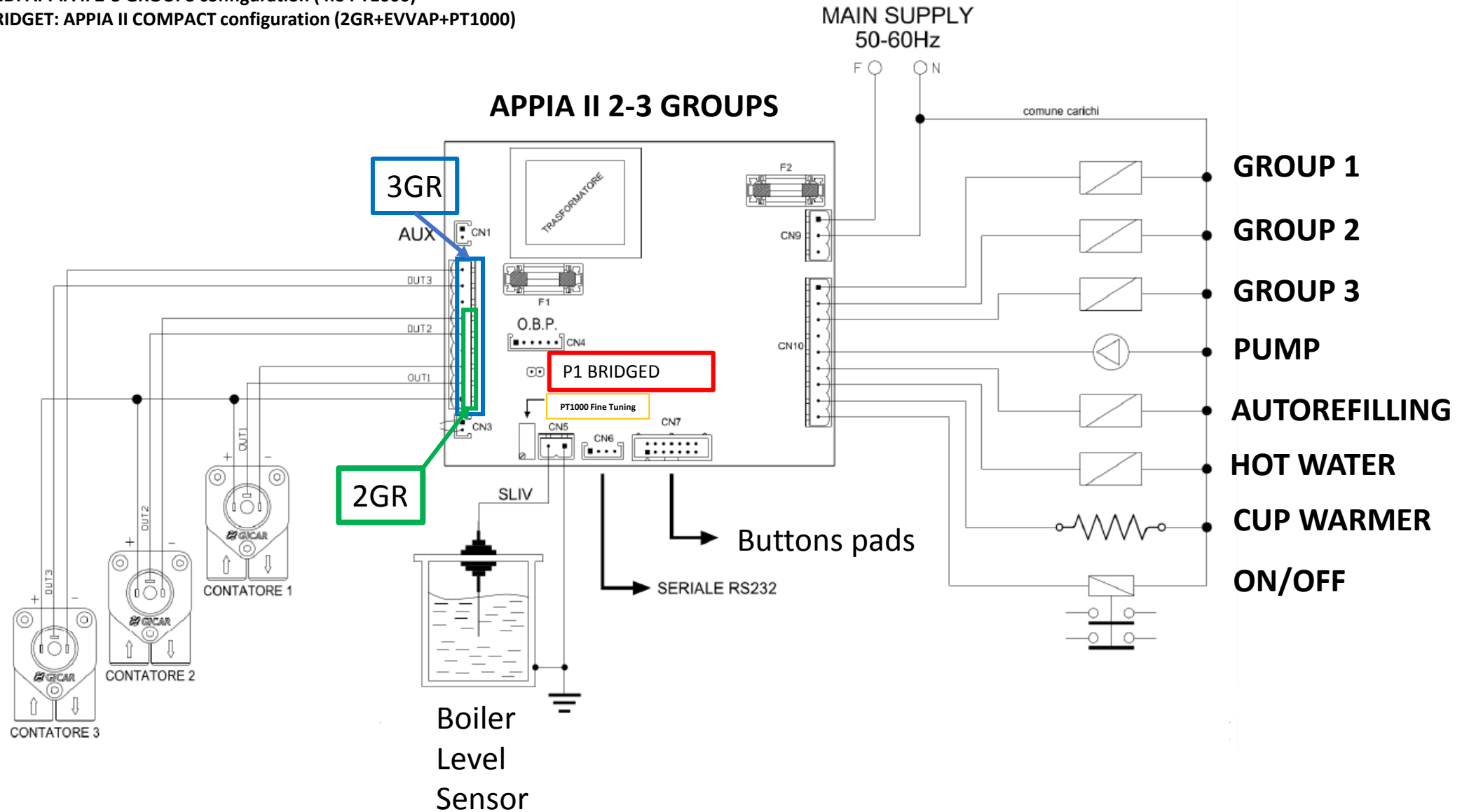


Universal Board schematics for APPIA II 2-3

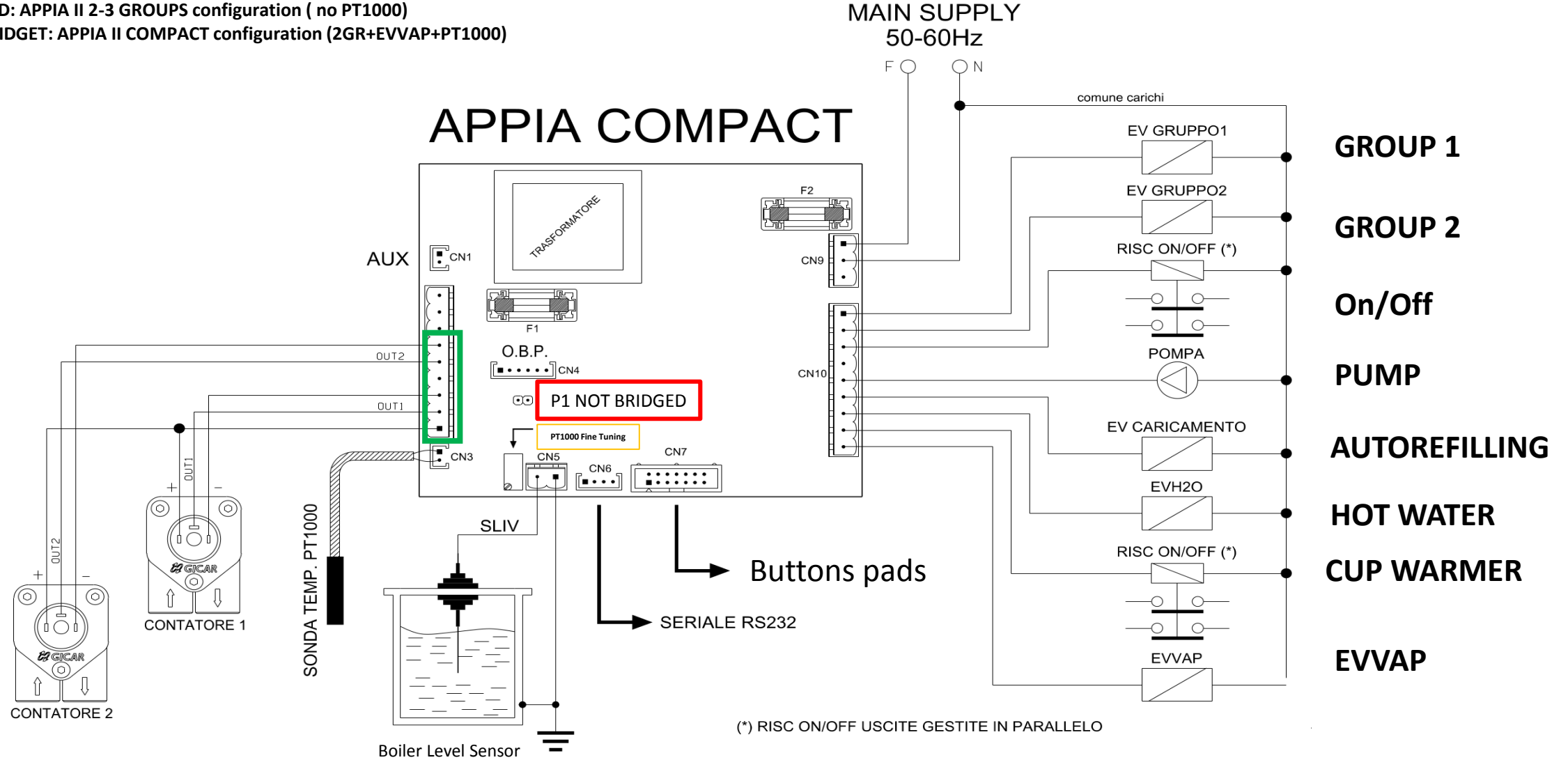
P1 BRIDGED: APPIA II 2-3 GROUPS configuration (no PT1000)
P1 NOT BRIDGET: APPIA II COMPACT configuration (2GR+EVVAP+PT1000)



Universal Board schematics for APPIA II COMPACT

P1 BRIDGED: APPIA II 2-3 GROUPS configuration (no PT1000)

P1 NOT BRIDGET: APPIA II COMPACT configuration (2GR+EVVAP+PT1000)



GROUP 1

GROUP 2

On/Off

PUMP

AUTOREFILLING

HOT WATER

CUP WARMER

EVVAP

