

PRODOTTI / RICAMBI
PRODUCTS / SPARE PARTS
PRODUITS / PIÈCES DÉTACHÉES
PRODUKTE / ERSATZTEILE
PRODUCTOS / REPUESTOS

MYTHOS

Esplosi

13-03-2013



 nuova
SIMONELLI®

MYTHOS

M
Y
T
H
O
S

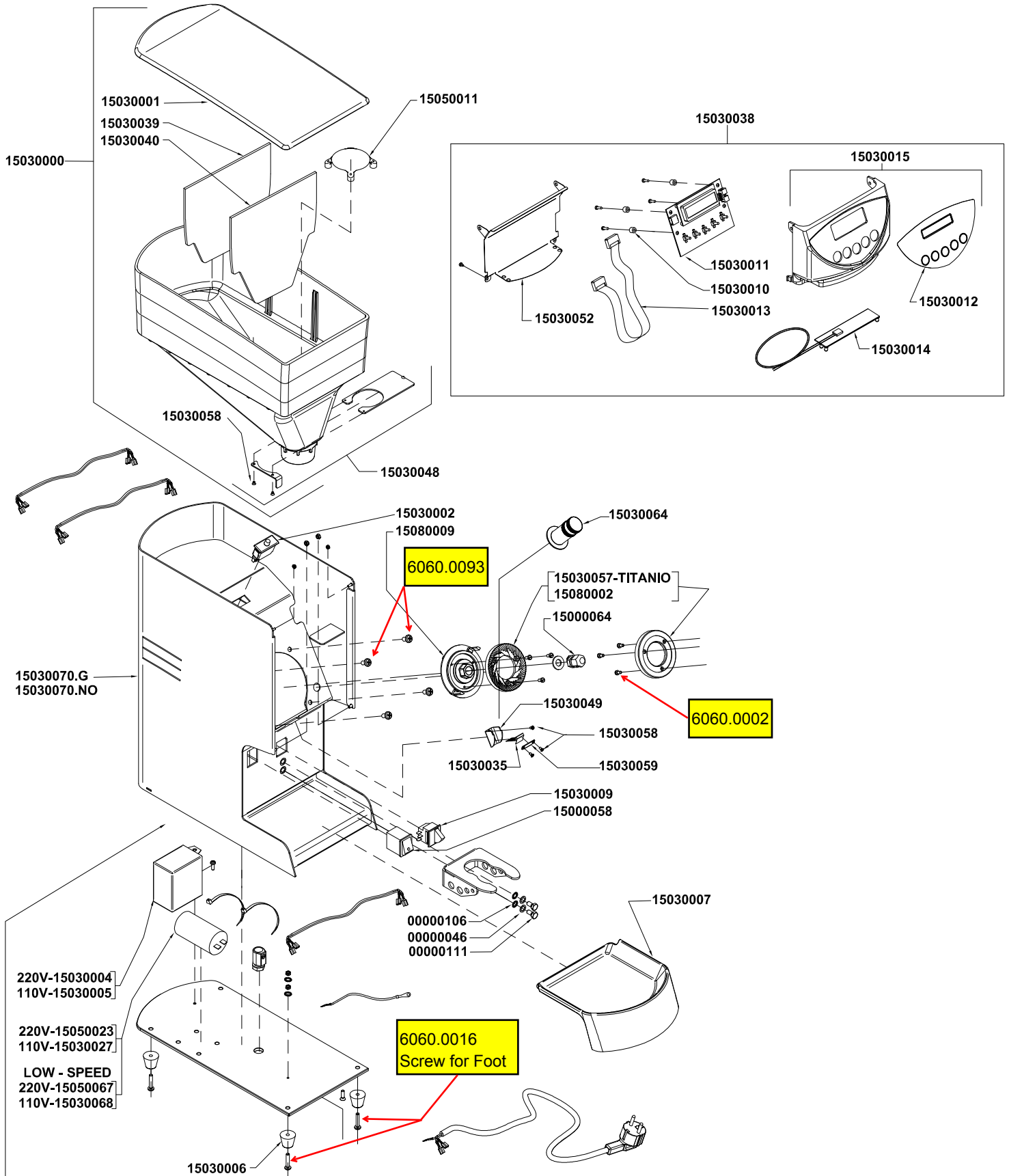
P
L
U
S

-

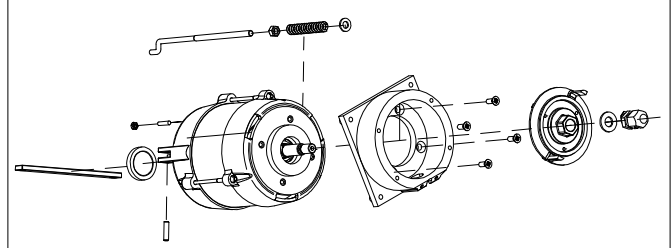
B
A
R
I
S
T
A

-

B
A
S
I
C



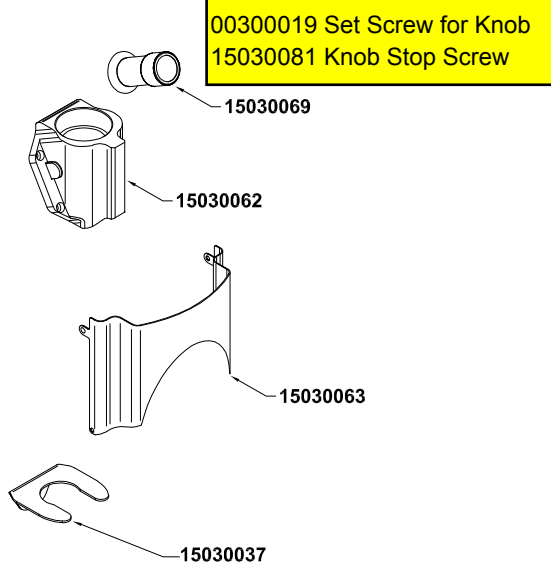
MOTORE COMPLETO	220V-15030016	110V--15030017
LOW - SPEED	220V--15030065	110V--15030066



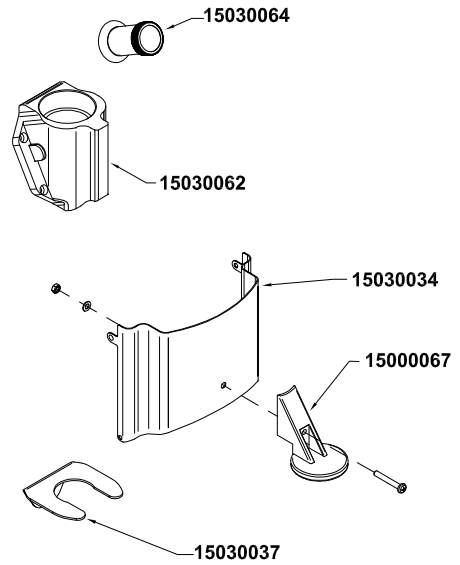
TAV 01

MYTHOS: SENZA PRESSINO

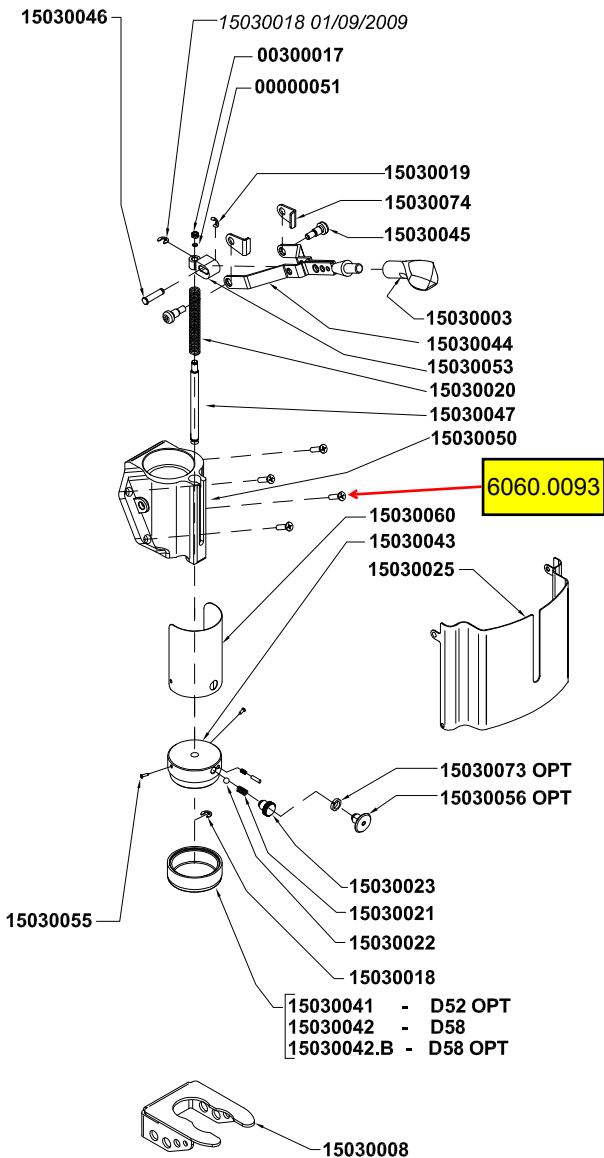
VERSIONE: BARISTA



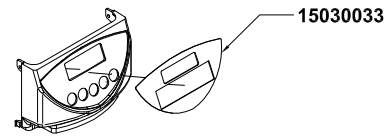
VERSIONE: BASIC



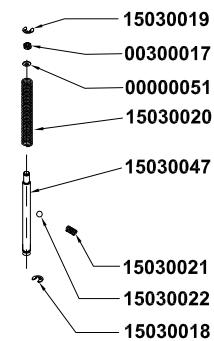
PRESSINO COMPLETO - 15030028 VERSIONE PLUS



PULSANTIERA: 1° SERIE UTILIZZARE 15030038



KIT RICAMBIO ASTA PRESSINO - 15030061



TAV 02

CODICE	DESCRIZIONE	DESCRIPTION	DATA FINE VALIDITA'	M Y T H O S
00000046	RONDELLA AQ M6 6,4X12,5X1,6 Z.	WASHER ZINC M6 6,4X12,5X1,6		
00000051	RONDELLA D14xD8 UNI 6592	WASHER 4x8		
00000111	VITE AQ 8.8 M6x16 TE ZINC	8.8 ZINC HEX-HEAD SCREW M6X16		
00000106	RONDELLA ZIGRINATA DIAM 6	MILLED WASHER DIAM. 6		
00300017	DADO AUTOBLOC INOX M4 ALTO DIN982	SELF-LOCKING STAINLESS STEEL NUT M4 HIGH DIN 982		
15000058	INTERRUTTORE MONOF.L. 1011.0001	SWITCH		
15000064	DADO FERMA PORTAMACINE 2501.0003	SPIRAL FOR BLADES-BEARER		
15000067	PRESSACAFFE FRONTALE 2001.0017	2001.0017 FRONT COFFEE PRESS		
15030000	CAMPANA COMP. MYTHOS 4000.0000	BELL ASSEMBLY MYTHOS 4000.0000		
15030001	COPERCHIO CAMPANA MYTHOS 4100.0007	HOPPER COVER MYTHOS GRINDER		
15030002	MICROSW SICUREZZA MYTHOS 4110.0007	SAFETY MICROSWITCH MYTHOS		
15030003	IMPUGNATURA SAGOMATA X MYTHOS 4100.0025	SHAPED GRIP FOR MYTHOS 4100 0025		
15030004	ALIMENTATORE 220V X MYTHOS 4110.0002	220 V FEEDER FOR MYTHOS 4110.0002		
15030005	ALIMENTATORE 110V X MYTHOS 4110.0008	110 V FEEDER FOR MYTHOS		
15030006	PIEDINO GOMMA MYTHOS 4100.0035	FOOT MYTHOS		
15030007	CASSETTINO X MYTHOS 4100.0009	DRAWER FOR MYTHOS 4100 0009		
15030008	FORCELLA INOX MYTHOS 4100.0019	SS MYTHOS FORK		
15030009	MICROSW ATTIV. MACINAT. MYTHOS 4110.0006	MICROSWITCH		
15030010	PIOLINO DISTANZIATORE MYTHOS 4100.0033	SPACER FOR DISPLAY MYTHOS		
15030011	DISPLAY CON SCHEDA X MYTHOS 4111.0001	DISPLAY FOR MYTHOS WITH BOARD		
15030012	PULSANT. MYTHOS N.SIMONELLI 4111.0009	SIMONELLI MYTHOS TOUCH PAD 4111 0009		
15030013	CAVETTO 10 VIE X MYTHOS 4110.0004	10-WAY CABLE FOR MYTHOS		
15030014	MODULO PORTALED MYTHOS 4110.0009 COMPLETO DI CAVETTO	MODULE LED MYTHOS		
15030015	FRONTALE COM. + PULS. MYTHOS 4100.0012+4111.0009	COM. FRONT + MYTHOS TOUCH PAD		
15030016	MOTORE COMPLETO MYTHOS 220V	MYTHOS COMPLETE 220 V MOTOR		
15030017	MOTORE COMPLETO MYTHOS 110V	MYTHOS COMPLETE 110 V MOTOR		
15030018	ANELLO ELAST. ALB. D5 DIN 6799 6040.0041	SHAFT RETAINING RING D5 DIN 6799		
15030019	ANELLO ELAST. ALB. D4 DIN 6799 6040.0042	SHAFT RETAINING RING D4 DIN 6799		
15030020	MOLLA RITORNO LEVA PRESS. MYT. 6002.4102	RETURN SPRING		
15030021	MOLLA REG. SFERA PRESS. MYTHOS 6002.4101	PRESSURE REG. KNOB SPRING		
15030022	SFERA REG. PRESS. MYTHOS 6040.0040	PRESSURE REGULATOR KNOB		
15030023	VITE REGISTRO PRESS. MYTHOS 4100.0023	REGISTER SCREW		
15030025	SPORTELLINO INOX MYTHOS 4100.0011	SS DOOR MYTHOS 41000011		
15030027	CONDENSATORE 60 mF UL 1013.0060	60 mF UL CONDENSER 10130060		
15030028	PRESSINO COMPLETO MYTHOS 4010.0000	PRESS ASSEMBLY MYTHOS 4010.0000		
15030033	MASC.+ETICHETTA MYTHOS 1 SER. 4100.0005 + E37	COVER + TOUCH PAD MYTHOS		
15030034	SPORTELLINO INOX MYTHOS S/P 4100.0029	SS DOOR FOR MYTHOS S/P 41000029		
15030035	FRANGIA ROMPIGETTO MYTHOS 4100.0027	DISPERSION NUT FLANGE MYTHOS 4100.0027		
15030037	FORCELLA INOX MYTHOS S/PRESS. 4100.0036	SS MYTHOS M/PRESS FORK		
15030038	FRONTALE COMANDI COMPLETO 4111.1000	CONTROL FRONT CABINET MYTHOS		
15030039	SEPARATORE BASSO 4100.0037	SEPARATING SET (LOW)		
15030040	SEPARATORE ALTO 4100.0038	SEPARATING SET (HIGH)		
15030041	DISCO PRESSINO D=52 PIATTO x SPAZIALE	PRESS DISC D=52 FLAT FOR SPAZIALE		
15030042	DISCO INF. PRESSINO D=58 4100.0032	PRESS DISC D=58		
15030042.B	DISCO INF. PRESSINO D=58 BOMB. 4100.0042	PRESS DISC D=58 CONVEX		
15030043	DISCO SUP. PRESSINO MYTHOS 4100.0031	PRESS TOP DISC MYTHOS 4100.0031		
15030044	LEVA SAGOMATA X PRESS. MYTHOS 4100.0022	LEVER FOR PRESS.MYTHOS		
15030045	VITE M6/8X10 BRUGOLA 6060.0090	SOCKET SCREW MM6/8X10		
15030046	PERNO LEVA PRESSINO MYTHOS 4100.0020	PIN LEVER FOR PRESS.MYTHOS		
15030047	ASTA ACCIAIO PRESSINO MYTHOS 4100.0017	ROD FOR PRESS.MYTHOS		
15030048	GHIgliottina completa MYTHOS 4100.0003-4100.0004-6060.0091	GUILLotine ASSY. MYTHOS		
15030049	CANALETTO USCITA CAFFE' MYTHOS 4100.0024	COFFEE OUTLET GUIDE MYTHOS		
15030050	PORTAMACINE SUP. MYTHOS 4100.0002	TOP GRINDER SUPPORT MYTHOS		
15030052	PROTEZIONE SCHEDA MYTHOS 4100.0034	DISPLAY PROTECTION MYTHOS		
15030053	NOTTOLINO PER MYTHOS 4100.0014	LEVER JOINT MYTHOS		
15030055	VITE AUTOF 2,2x6,5 TCTCR ZINC. 6060.0018	SCREW 2.2X6.5mm TCTCR		
15030056	VITE REGISTRO PRESS. MYTHOS CON CHIAVE 4100.0060	REGISTER SCREW FOR KEY		
15030057	COPPIA MACINE D.75 MYTHOS LONG LIFE MACMYTHOSLOW CP	PAIR OF MYTHOS GRINDERS 75 mm LONG LIFE		
15030058	VITE INOX M3x6 TSP TCR 6060.0091	SS SCREW M3X6		
15030059	FERMAGLIO X FRANGIA ROMPIGETTO MYTHOS 4100.0026	DISPERSION NUT FLANGE CLIP		
15030060	CAMICIA COPRIGUIDA PRESSINO MYTHOS 4100.0030	COVER GUIDE FOR PRESS.MYTHOS		
15030061	KIT RICAMBIO ASTA PRESSINO DINAMOMETRICO MYTHOS	REPLACEMENT KIT ROD FOR PRESS.MYTHOS		
15030062	PORTAMAC. SUP. TAGLIATO MYTHOS(NO TAMPER) 4100.0039	UPPER GRINDER HOLDER - MYTHOS (NO TAMPER)		
15030063	SPORTELLINO INOX TAGLIATO MYTHOS4100.0028	SS DOOR FOR MYTHOS BARISTA		
15030064	POMELLO REGISTRO MACIN. MYTHOS INTEGRALE 2501.0012	GRINDER REGISTER HANDLE		
15030065	MOTORE COMPLETO MYTHOS LOW - SPEED 220V	MYTHOS COMPLETE 220 V LOW-SPEED MOTOR		
15030066	MOTORE COMPLETO MYTHOS LOW - SPEED 110V	MYTHOS COMPLETE 110 V LOW-SPEED MOTOR		
15030067	CONDENSATORE 14mF x MYTHOS LOW-SPEED 220V 1013.1400	14 mF CONDENSER		
15030068	CONDENSATORE 50mF x MYTHOS LOW-SPEED 110V 1012.0007	50 mF CONDENSER		
15030069	POMELLO REGISTRO MACIN.MYTHOS BARISTA 4016.0000	GRINDER REGISTER HANDLE		
15030070.G	CORPO MYTHOS COLORE GRIGIO 4100.0040	BODY MYTHOS GREY		
15030070.NO	CORPO MYTHOS COLORE NERO OPACO 4100.0040	BODY MYTHOS OPAQUE BLACK		
15030073	RONDELLA REGOLAZIONE PRESSINO 6061.0017	TAMPER REGULATION WASHER		
15030074	BATTUTA FINECORSA LEVA PRESSATURA 4100.0072	END STROKE FOR TAMPER LEVER		
15050023	CONDENS. 16mF 450V 40x70 UL FASTON M6,3 CODOLO M8x10	CAPACITOR		
15050011	CHIUSURA SICUR.CAMPANA 5101.0012	BELL SAFETY COVER 5101.0012		
15080002	COPPIA MACINE D.75	GRINDING WHEELS 75 mm		
15080009	PORTAMACINA INFERIORE 75 2520.0005	BOTTOM GRINDER 75 2520.0005		

1ª serie di Mythos fino ai seguenti numeri di serie: 200258 (115 V) – AA 1067-07 (230 V)
1st batch of Mythos until.: SN: 200258-07 (115 V) - SN: AA 1067-07 (230 V)



2ª serie di Mythos
2nd batch of Mythos

