



ESPRESSO POINT
Mod. Matinée 120V

Spare parts handbook

**G
B**

- 1.1** Case
- 1.2** Electrical components
- 1.3** Heating section
- 1.4** Distribution section
- 1.5** Tank section
- 1.6** Hydraulic section



Spare parts handbook
Espresso Point Mod. Matinée 120V

Machine code: **80114**

Handbook code: **83302**

Revision: **February 2003**

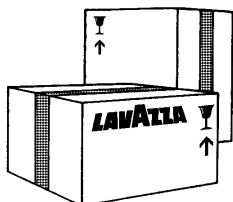
Rel: **1.00**

TECHNICAL ASSISTANCE

Tel. 0039 011 2398429

Fax 0039 011 23980466

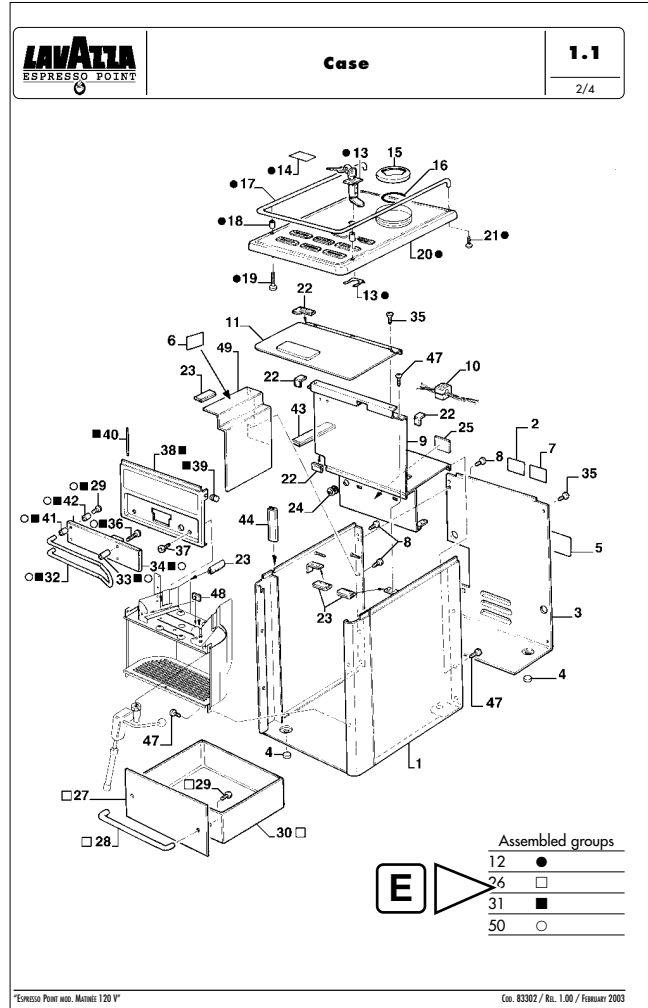
E-mail: assistenza@lavazza.it



Use only original spare parts

The manufacturer declines all responsibility
if non original spare parts are used

REF	CODE	DENOMINATION	NOTES
01	87149	CABINETTE	
02	87201	LABEL 120V	
03	87003	BACK COVER	
04	88075	FOOT	
	98075	KIT FOOT	50 PCS
05		SERIAL NUMBER	
06	85590	DECAL	
07	87164	DECAL 120V	
08	85106	SCREW	
	95106	KIT SCREW	50 PCS
09	87051	BULKHEAD	
10	85041	CABLE HOLDER	
11	85004	HEATING COVER	
12	87052	TOP COVER COMPLETE	Assembled (●)
	85088	LOCK	(●)
	95088	KIT LOCK	10 PCS
14	87165	DECAL 120V	(●)
15	87053	PLUG	
16	87160	O- RING	
17	87008	RAILING	(●)
18	87017	BUSH	(●)
19	87155	SCREW	(●)
20	87054	COVER	(●)
21	85096	SCREW	(●)
22	87191	EDGE PROTECTION	
23	85267	EDGE PROTECTION	
24	87171	CABLE HOLDER	
25	85224	AERSTOP	
26	87012	DRAWER COMPLETE	Assembled (□)
27	87007	FRONTAL DRAWER PANEL	(□)
28	87004	DRAWER HANDLE	(□)
	85169	SCREW	(□) / (■) / (○)
	95169	KIT SCREW	25 PCS
30	85192	DRAWER	(□)
31	87198	FRONTAL COVER	Assembled (■)

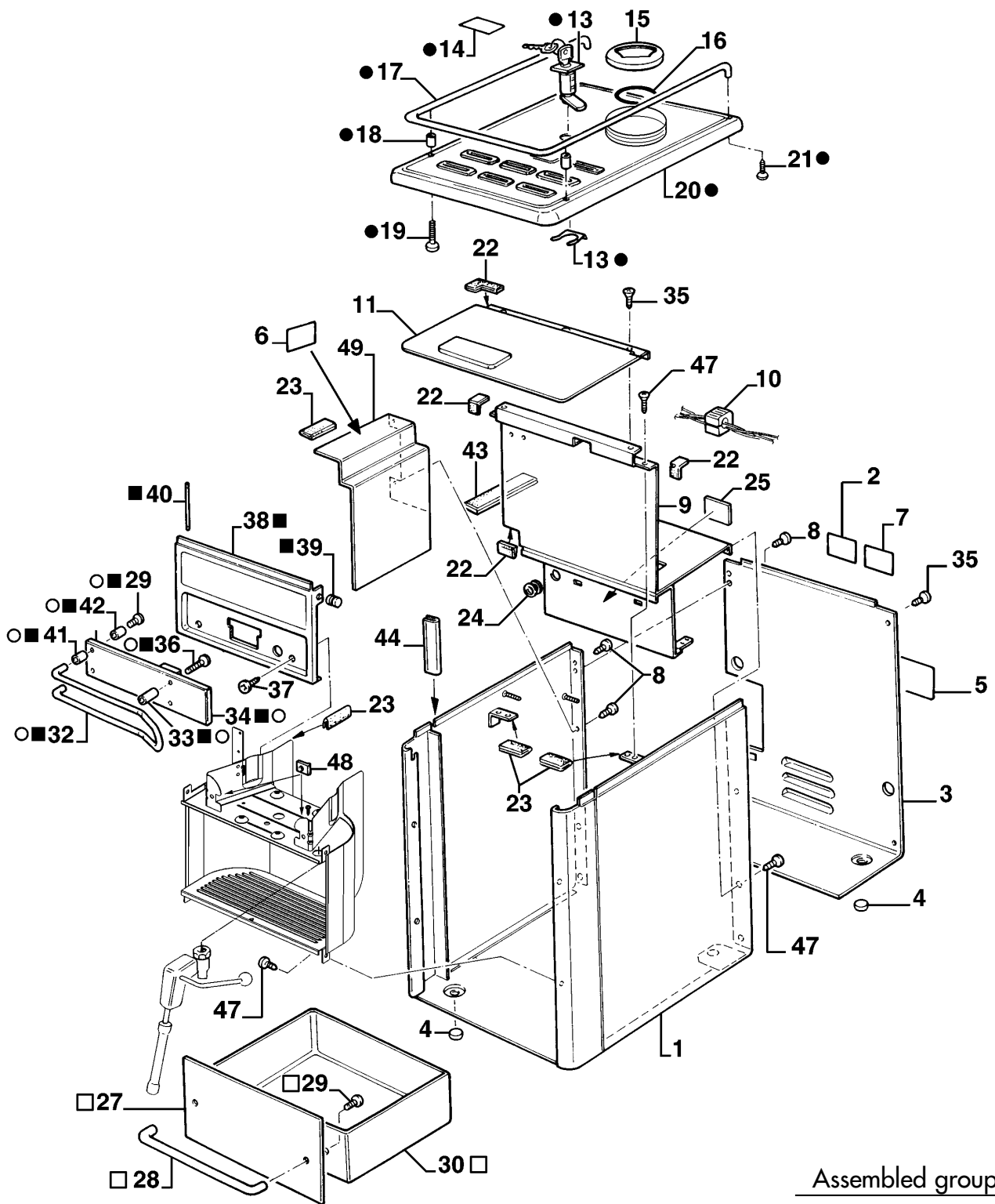


- A) REFERENCE:** The reference number for each individual part represented in the drawing. Where the same number covers more than one code, refer to the notes for more details.
- B) CODE:** The code for each individual part
- C) DENOMINATION:** The name of the individual parts
- D) NOTES:** Further details regarding the individual parts
- 50 piece kit**
Part supplied only in kits of 50 pieces
- Assembled (●)**
Part only supplied already assembled with other parts bearing the same symbol (●)
- (●)**
Part included in the assembled group bearing the same symbol but which can also be ordered separately
- E) ASSEMBLED GROUPS:** Number with the relative symbol of the part that can be supplied already assembled.

CAUTION

In all spare parts orders sent directly to Luigi Lavazza S.p.A, state only the Kit codes (where available) and not the individual part codes.

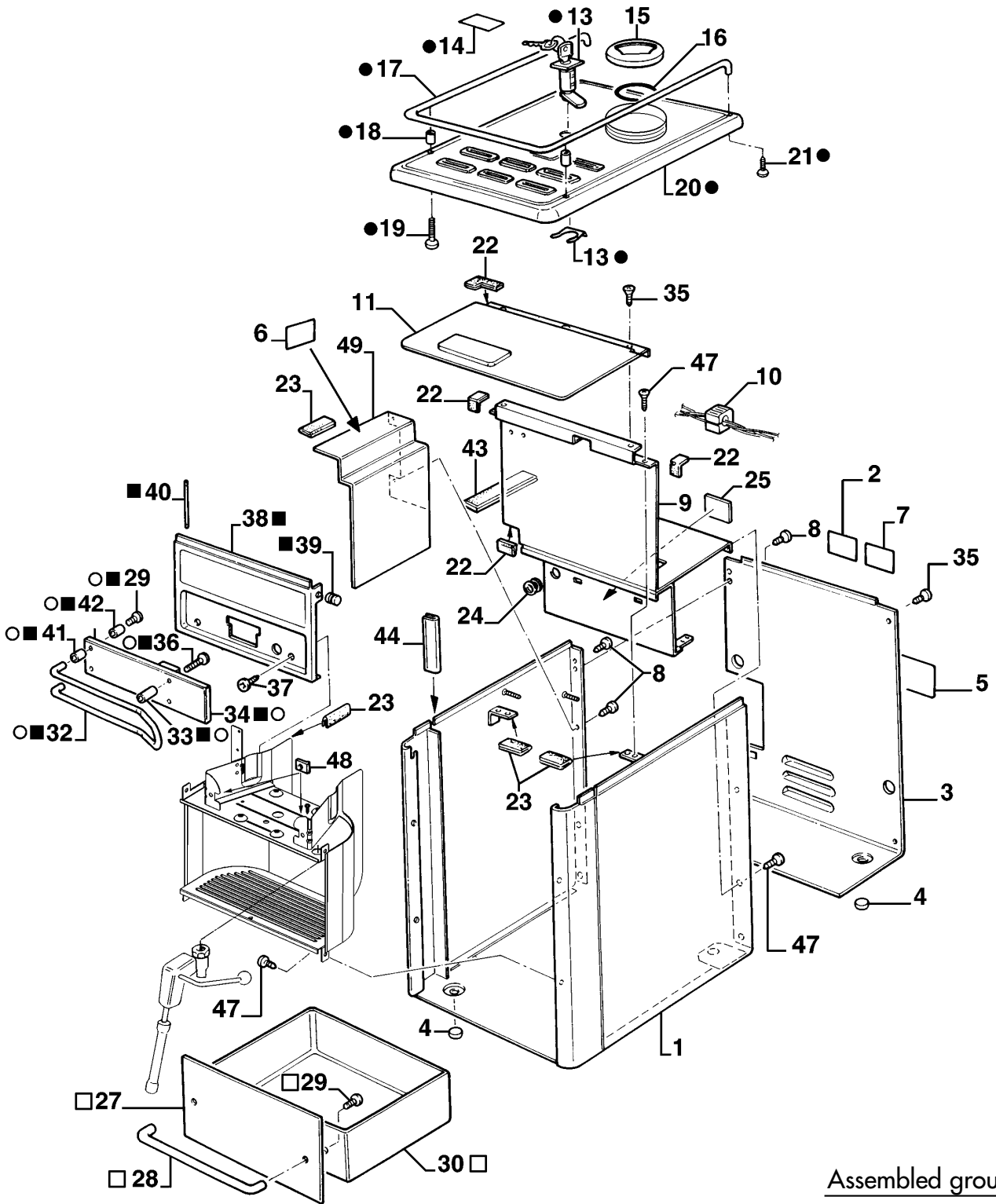
REF	CODE	DENOMINATION	NOTES
01	87149	CABINETTE	
02	87201	LABEL 120V	
03	87003	BACK COVER	
04	88075	FOOT	
	98075	KIT FOOT	50 PCS
05	—	SERIAL NUMBER	
06	85590	DECAL	
07	87164	DECAL 120V	
08	85106	SCREW	
	95106	KIT SCREW	50 PCS
09	87051	BULKHEAD	
10	85041	CABLE HOLDER	
11	85004	HEATING COVER	
12	87052	TOP COVER COMPLETE	Assembled (●)
13	85088	LOCK	(●)
	95088	KIT LOCK	10 PCS
14	87165	DECAL 120V	(●)
15	87053	PLUG	
16	87160	O- RING	
17	87008	RAILING	(●)
18	87017	BUSH	(●)
19	87155	SCREW	(●)
20	87054	COVER	(●)
21	85096	SCREW	(●)
22	87191	EDGE PROTECTION	
23	85267	EDGE PROTECTION	
24	87171	CABLE HOLDER	
25	85224	AERSTOP	
26	87012	DRAWER COMPLETE	Assembled (□)
27	87007	FRONTAL DRAWER PANEL	(□)
28	87004	DRAWER HANDLE	(□)
29	85169	SCREW	(□) / (■) / (○)
	95169	KIT SCREW	25 PCS
30	85192	DRAWER	(□)
31	87198	FRONTAL COVER	Assembled (■)



Assembled groups

12	●
26	□
31	■
50	○

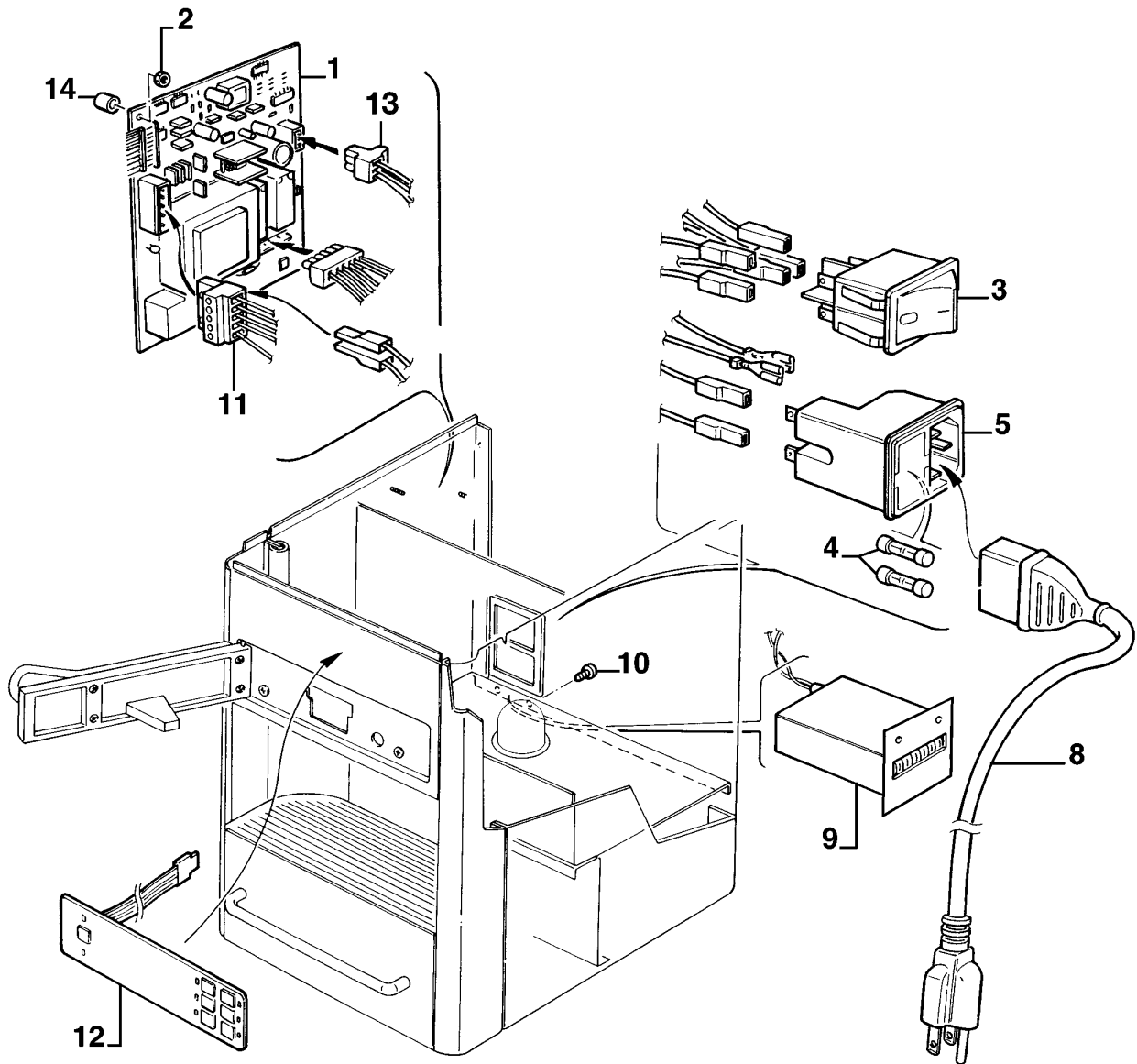
REF	CODE	DENOMINATION	NOTES
32	—	DRAWER HANDLE	(■) / (○)
33	—	SPACER	(■) / (○)
34	—	LEVER	(■) / (○)
35	85255	SCREW	
	95255	KIT SCREW	50 PCS
36	—	SCREW	(■) / (○)
37	87088	SCREW	
	97088	KIT SCREW	25 PCS
38	85231	FRONTAL PANEL	(■)
39	—	RIVET	(■)
40	85014	PIN	(■)
41	—	SPACER	(■) / (○)
42	—	SPACER	(■) / (○)
43	87193	EDGE PROTECTION	
44	87194	EDGE PROTECTION	
47	88066	SCREW	
48	85186	CLAMP	
	95186	KIT CLAMP	50 PCS
49	85230	PROTECTION COVER	
50	87048	COMPLETE LEVER	Assembled (○)



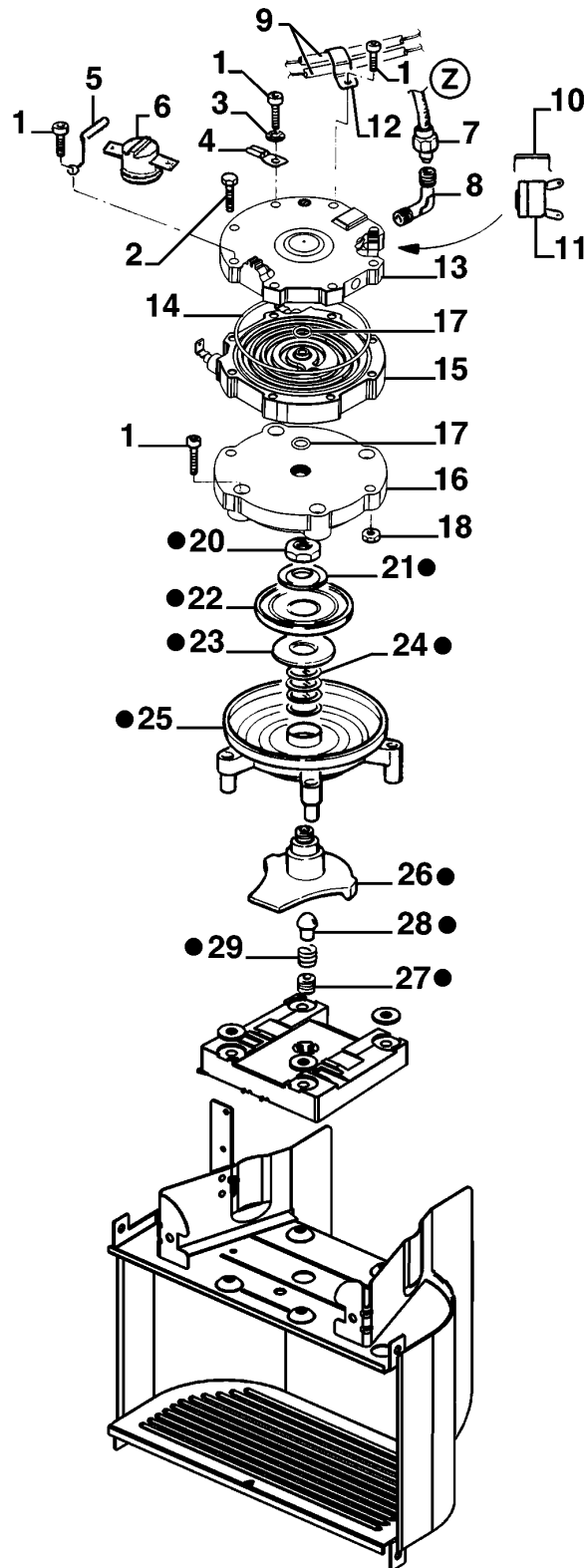
Assembled groups

12	●
26	□
31	■
50	○

REF	CODE	DENOMINATION	NOTES
01	87169	ELECTRONIC CARD 120 V	
02	85462	NUT	
	95462	KIT NUT	50 PCS
03	85221	SWITCH	
	95221	KIT SWITCH	05 PCS
04	87161	FUSE 120 V	
05	85219	PLUG WITH FUSE HOLDER	
08	86052	POWER CABLE 120 V	
09	85560	COUNTER 120 V	
10	85101	SCREW	
	95101	KIT SCREW	50 PCS
11	87172	WIRING 120 V	
12	87176	ELECT. KEYBOARD	
	97176	KIT ELEC. KEYBOARD	05 PCS
13	87197	SIZE JUMPER	
14	79278	SPACING BAR	



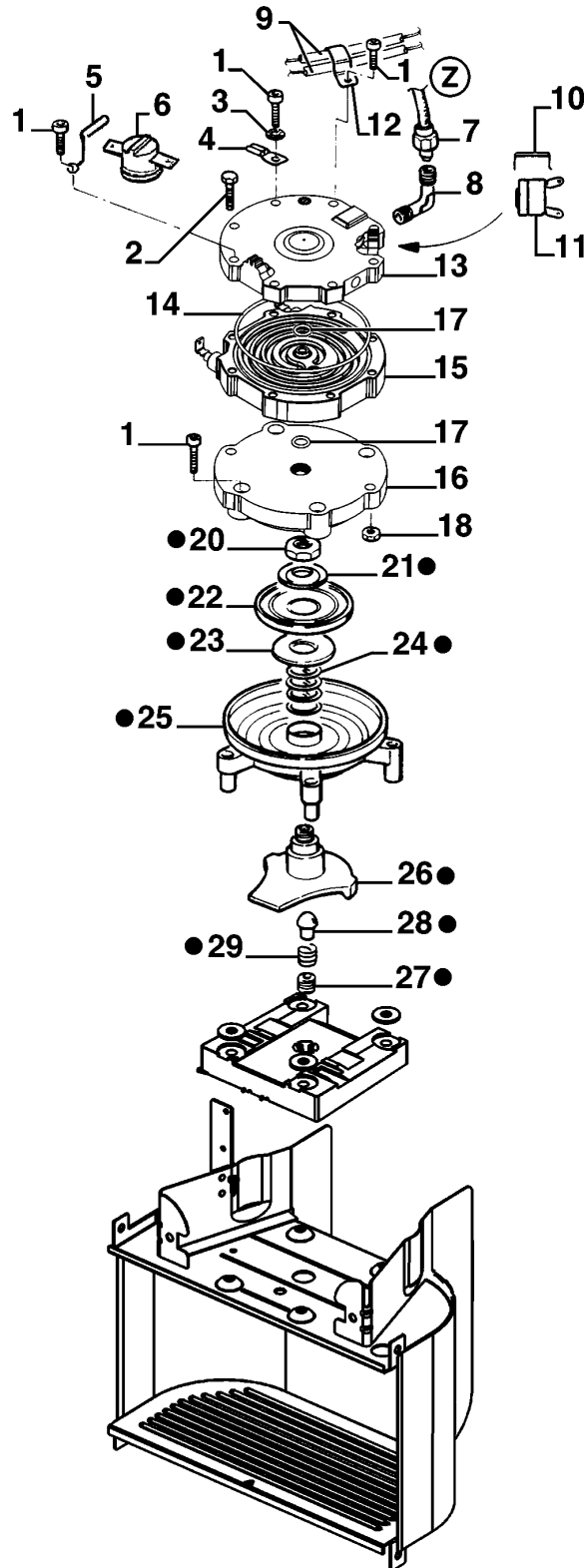
REF	CODE	DENOMINATION	NOTES
01	88020	SCREW	
	98020	KIT SCREW	50 PCS
02	88103	SCREW	
	98103	KIT SCREW	25 PCS
03	85444	WASHER	
04	87019	FASTON	
05	79228	RETAINER (Campini)	
06	79226	THERMOSTAT 130° (Campini)	
	99226	KIT THERMOSTAT 130° (Campini)	10 PCS
07	87206	TEFLON PIPE	
08	87062	PIPE SOCKET 90°	
09	88111	THERMAL FUSE 167°	
	98111	KIT THERM. FUSE 167°	50 PCS
10	88143	SPRING (Campini)	
11	79225	THERMOSTAT 100° (Campini)	
	99225	KIT THERMOSTAT 100° (Campini)	10 PCS
12	88109	RETAINER	
13	88149	UPPER PLATE	
14	88106	O-RING	
	98106	KIT O-RING	25 PCS
15	87055	LABYRINTH 120 V	
16	88151	LOWER PLATE	
17	87027	O-RING	
	97027	KIT O-RING	50 PCS
18	88049	NUT	
	98049	KIT NUT	25 PCS
19	87063	COMPLETE CHAMBER	Assembled (●)
20	87065	NUT	(●)
21	85057	UPPER WASHER	(●)
	95057	KIT UPPER WASHER	25 PCS
22	85043	DIAPHRAM	(●)
	95043	KIT DIAPHRAM	25 PCS
23	85053	LOWER WASHER	(●)
	95053	KIT LOWER WASHER	25 PCS



Assembled groups

19 ●

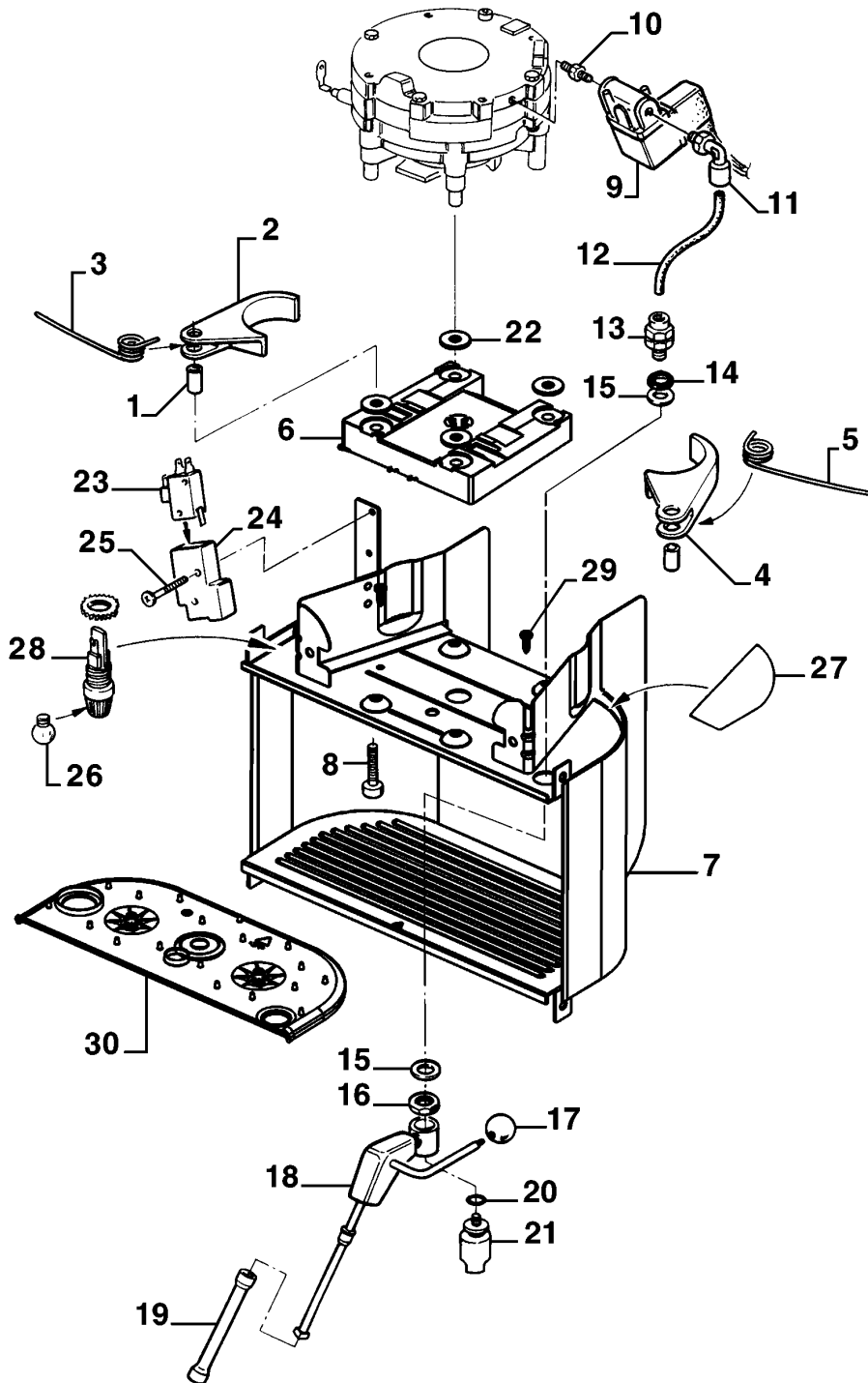
REF	CODE	DENOMINATION	NOTES
24	85051	SPRING	(●)
	95051	KIT SPRING	10 PCS
25	87022	CHAMBER	(●)
	97022	KIT CHAMBER	05 PCS
26	87056	F. A. P. PRESSER	(●)
27	87064	BREATHER PLUG	(●)
28	85037	VALVE	(●)
	95037	KIT VALVE	50 PCS
29	85048	SPRING	(●)
	95048	KIT SPRING	25 PCS



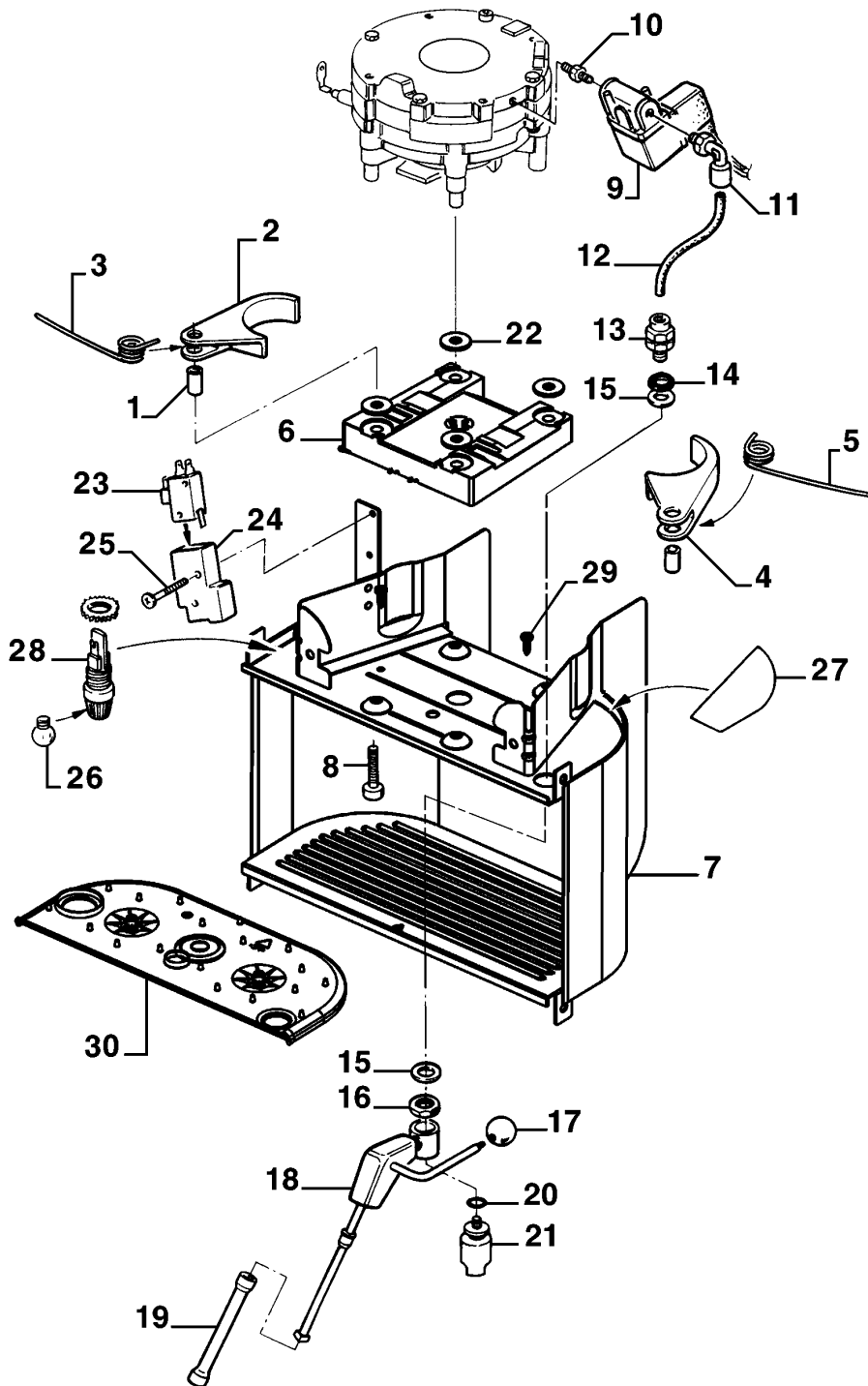
Assembled groups

19 ●

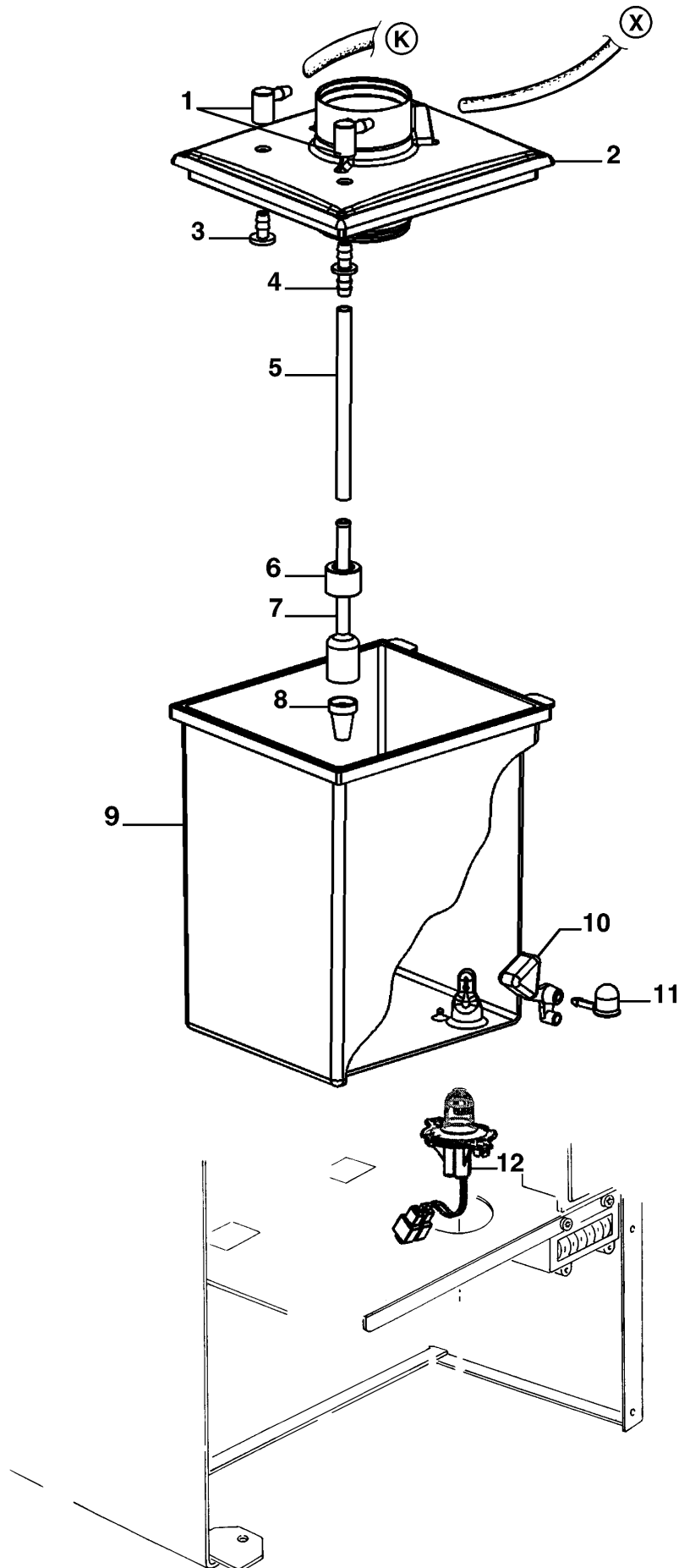
REF	CODE	DENOMINATION	NOTES
01	87023	SPACING BAR	
	97023	KIT SPACING BAR	25 PCS
02	85160	LEFT JAW	
	95160	KIT LEFT JAW	20 PCS
03	85159	LEFT SPRING	
	95159	KIT LEFT SPRING	25 PCS
04	85126	RIGHT JAW	
	95126	KIT RIGHT JAW	20 PCS
05	85049	RIGHT SPRING	
	95049	KIT RIGHT SPRING	25 PCS
06	85000	PLATE	
07	87078	SUPPORT	
08	87024	SCREW	
	97024	KIT SCREW	50 PCS
09	87166	ELECTROVALVE 120 V	
10	87066	PIPE SOCKET	
11	87162	PIPE SOCKET 90°	
12	87183	PTFE PIPE	
13	87074	PIPE SOCKET	
14	89028	O- RING	
	99928	KIT O- RING	50 PCS
15	87187	WASHER	
	97187	KIT WASHER	25 PCS
16	88068	NUT	
17	87039	BALL HANDLE	
18	87070	STEAM PIPE	
19	88070	STEAM PIPE COVER	
20	87027	O- RING	
	97027	KIT O- RING	25 PCS
21	87073	BALL HANDLE	
22	88144	WASHER	



REF	CODE	DENOMINATION	NOTES
23	85069	MICROSWITCH	
	95069	KIT MICROSWITCH	10 PCS
24	87200	LABEL	
25	85103	SCREW	
	95103	KIT SCREW	50 PCS
26	85222	LAMP	
	95222	KIT LAMP	25 PCS
27	85472	LABEL	
28	85223	LAMP SOCKET	
	95223	KIT LAMP SOCKET	05 PCS
29	85101	SCREW	
	95101	KIT SCREW	50 PCS
30	87069	SPACE CUP COVER ULS	



REF	CODE	DENOMINATION	NOTES
01	79052	PIPE SOCKET	
02	87057	COVER	
03	79053	INSERT	
04	79245	INSERT	
05	87058	SILICONE PIPE	
06	87059	RING	
07	87060	HOUSING	
08	79125	FILTER	
09	87067	TANK	
10	79257	RETAINER FLOAT	
11	87068	RETAINER	
12	87050	FLOAT CONTACT	



REF	CODE	DENOMINATION	NOTES
01	79052	PIPE SOCKET 90°	
02	87202	ULKA PUMP 120 V 60 Hz	
03	85039	SUPPORT BELT	
	95039	KIT SUPPORT BELT	20 PCS
04	87196	FLOW- METER	
05	87158	PLATE	
06	87159	CLIP	
07	79020	PUMP THERMOSTAT	
08	89028	O-RING	
	99928	KIT O-RING	50 PCS
09	87071	PIPE SOCKET	
10	87204	TEFLON PIPE	
11	87072	PIPE SOCKET	
12	87062	PIPE SOCKET 90°	
13	79089	ELECTROVALVE 120 V	
14	85220	SCREW	
	95220	KIT SCREW	25 PCS
15	85462	NUT	
	95462	KIT NUT	50 PCS
16	87180	SILICONE PIPE	
17	85106	SCREW	
	95106	KIT SCREW	50 PCS
18	87061	SILICONE PIPE	
19	87159	CLIP	

